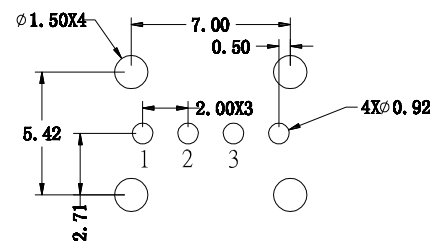
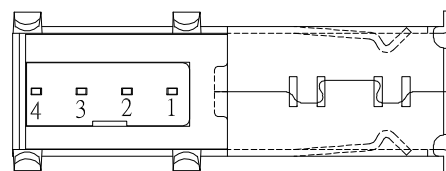
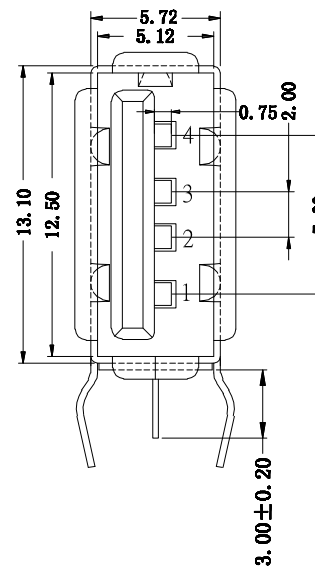
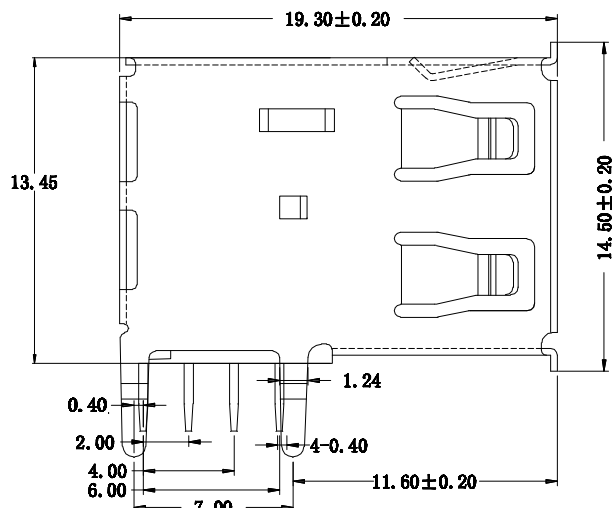
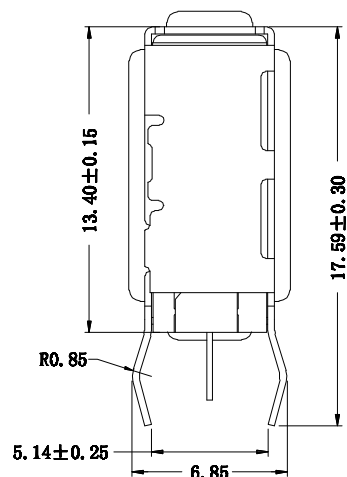


SUA-110PCxx-x-S175

SHELL :   
 Blank : BRASS  
 I : SPCC

COLOR :   
 Black : B  
 White : W

鍍層厚度 :   
 Blank : 1u"  
 2 : 15u"  
 3 : 30u"



P.C.B LAYOUT MOUNTING PATTERN

**SPECIFICATIONS**

**Electrical:**

- 1.Current Rating: 1.5A / contact terminal
- 2.Voltage Rating: 30 VDC
- 3.Contact Resistance: 30 mΩ Max
- 4.Dielectric Withstanding Voltage: 500 V AC AT Sec Level
- 5.Insulation Resistance: 1,000 MΩ Min

**Material:**

- 1.Housing: PBT
- 2.Contact: Brass
- 3.Shell: Spcc / Brass

**Finish:**

- 1.Contact: Plated Gold in Mating Area; Tin on Solder Balls; Nickel under plated overall
- 2.Shell: Nickel Plating

ITEM NO.	DESCRIPTION	DRAWN	DATE
3	新增尺寸	Jack	041620
2	新增PIN編號	Jack	062918
1	新增外殼材質選項	Jack	053018

**CONTACT** 建倚科技股份有限公司  
**CONTACT TECHNOLOGY CORP.**

TOLERANCE UNLESS OTHERWISE STATED :	Up to 5 ±0.2	Above 5 ~ 15 ±0.3	Above 15 ~ 30 ±0.4	Above 30 ~ 50 ±0.5	Angle ±0.3°
	3RD. ANGEL'S				
		UNITS	MM		

DRAWN BY:	DATE	MAT'L	TITLE	CONNECTOR
Jack Lu	04/16/20			
CHECKED BY:	DATE	FINISH	MODLE	USB AF 側插 90度 有後蓋 自動機
Jacky Chen	04/16/20			
APPROVED BY:	DATE	SCALE	DWG NO.	SUA-110PCxx-x-S175
Tony Kao	04/16/20	1 : 1	PART NO.	SUA-110PCxx-x-S175
		SHEET NO.	1 of 1	
				SIZE A4
				VER R3